

4

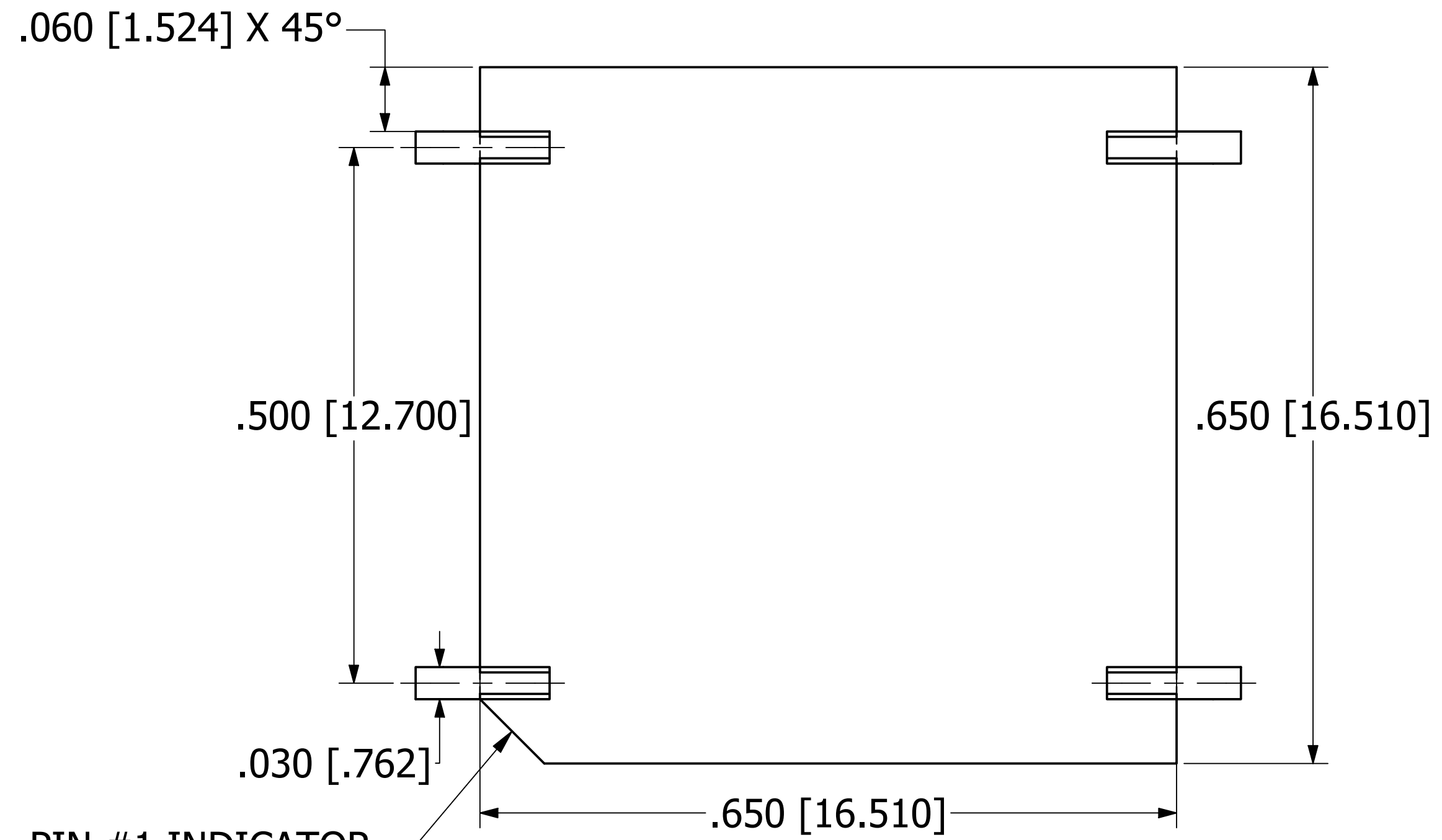
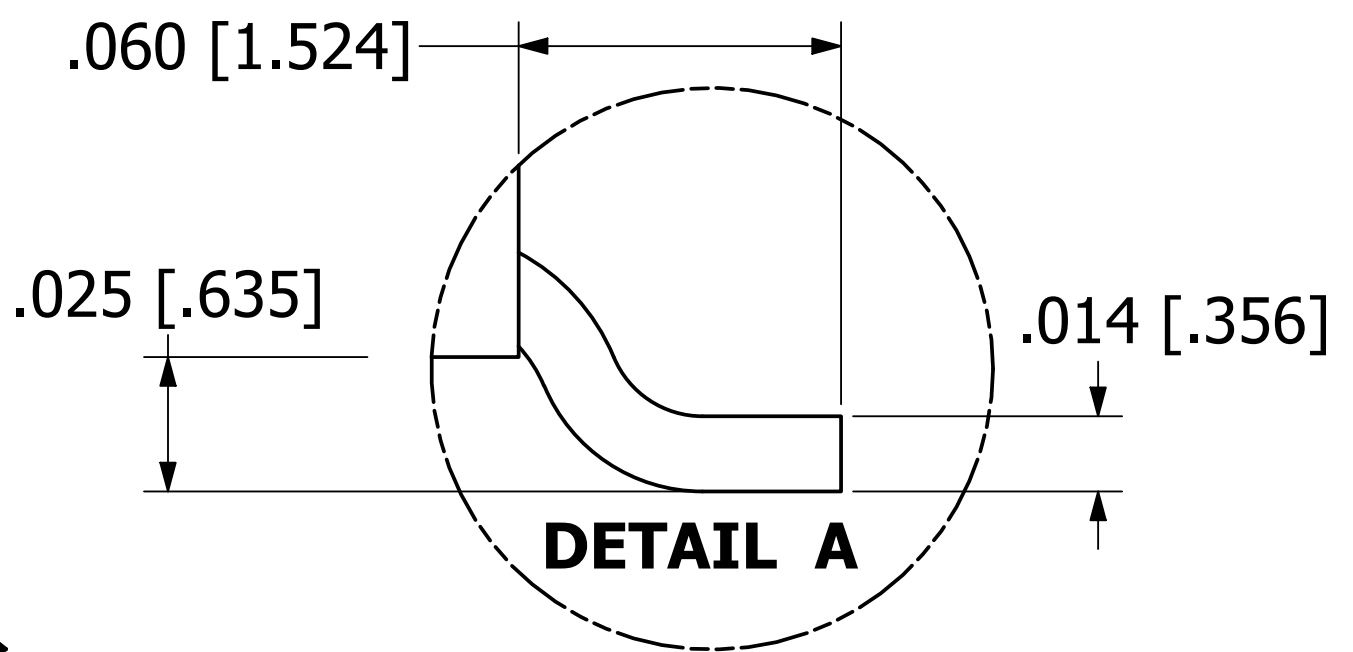
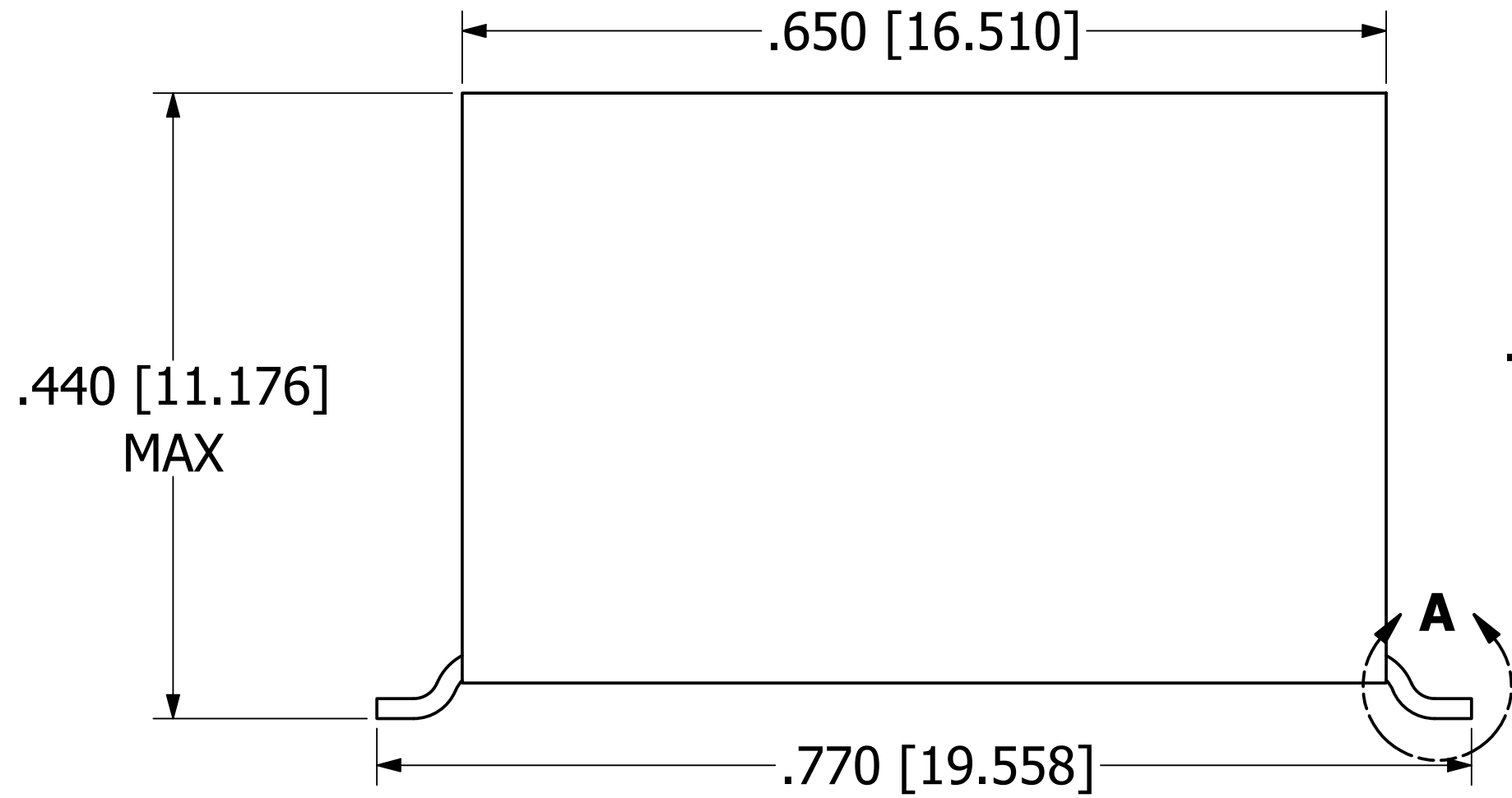
3

2

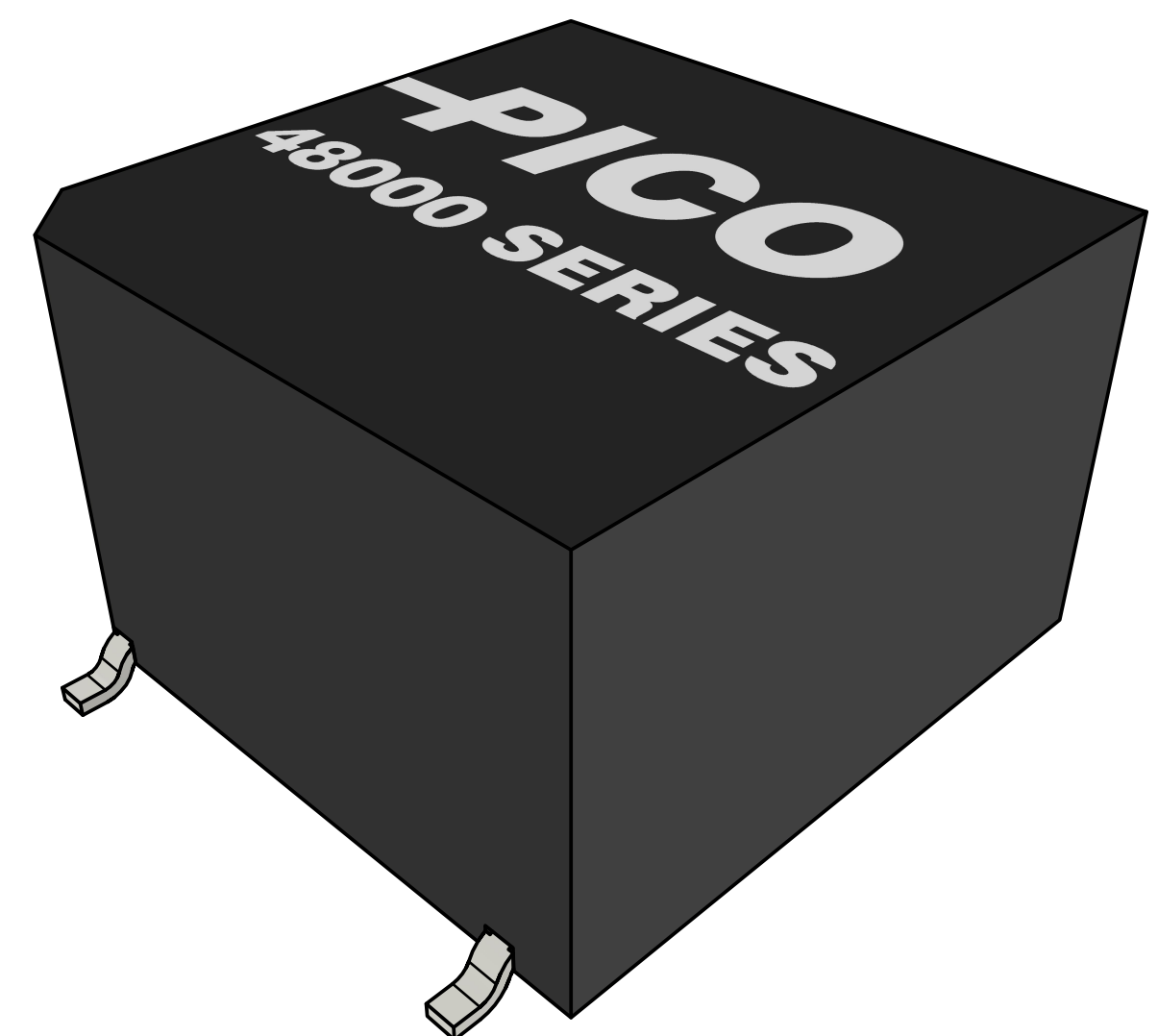
1

**NOTES**

- a. ALL DIMENSIONS ARE IN INCHES, [ ] = MM
- b. TERMINALS ARE CLOCKWISE FROM PIN #1



**BOTTOM VIEW**



PIN #1 INDICATOR

**PROPRIETARY AND CONFIDENTIAL**

THE INFORMATION CONTAINED IN THIS DRAWING IS THE SOLE PROPERTY OF PICO ELECTRONICS INC. ANY REPRODUCTION IN PART OR AS A WHOLE WITHOUT THE WRITTEN PERMISSION OF PICO ELECTRONICS INC. IS PROHIBITED

DRAWN	P.PALUCH	<b>PICO</b> Electronics	143 Sparks Ave Village of Pelham, NY 10803		
CHECKED	H. VIDAURRE				
QA		<b>48000 SERIES - SIZE 3</b>			
MFG					
APPROVED		SIZE	DWG NO	REV	
REVISION DATE	06/06/2023	C		1	
		SCALE	NTS	www.picoelectronics.com	

4

3

2

1

D

D

C

C

B

B

A

A